

## Sealant and Polyurethane

# REISFLEX® PU-30

### PRODUTO

**ReisFlex® PU-30** is a monocomponent polyurethane adhesive sealant with ultraviolet (UV) protection. It is developed to seal various construction / fabrication details that are subject to movements that require greater flexibility. It looks like a tough, flexible rubber.

### SEGMENTS OF USE

**ReisFlex® PU-30** is designed to seal control, expansion or caulk joints, such as:

- Civil and naval construction;
- Automotive industry;
- Refrigerating equipment;
- Aluminum bodies (chests);
- Railway wagons;
- Frames (aluminum, wood, metal and plastic);
- Expansion joints, preforms and reservoirs;
- Sanitary seals, etc.

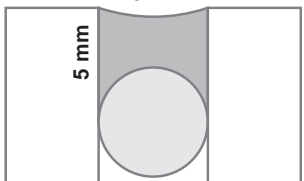
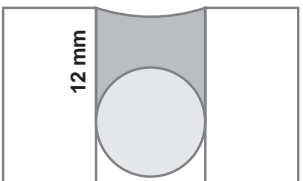
### APPLICATION

For good adhesion and satisfactory results, the surface to be applied **ReisFlex® PU-30** must be clean, free from dust, contaminants and dirt (grease, oil, silicones).

### PERFORMANCE OF APPLICATION

Application temperature	+5°C to +30°C
Applications of joints	2 to 5 mm
Application of vertical or horizontal joints	4 to 30 mm

Example of vertical joint:	Example of horizontal joint (floor):
10 mm	4 mm
	

**Note:** At the time of application, prevent the packaging in use, being exposed to the sun or temperatures above 25°C, there may be a change in viscosity and product performance.

**ReisFlex® PU-30** accepts painting after its full cure.

**Application Limitations:** Should not be applied on frozen or water surfaces, it should not be applied over silicones.

### SPECIFICATION

**ReisFlex® PU-30** meets and exceeds the performance requirements of: ASTM C920 Types, Grade NS Class 25 Fed. Spec. TT-S-00230 C type II Class A (Flexibility and 50% accommodation at joints) AAMA 808.3-92 (Composite Sealant for Exterior Perimeter).

### CHARACTERISTICS AND PERFORMANCE

Chemical Composition	Polyurethane
Physical State	Pasty Tixotropic
Packaging	Cartridge 310 mL and Sachets 400 mL and 600 mL
Colors	Gray, White, Black and Colors.
Yield (1 cartridge 310 mL)	3 linear meters in joint of 1cmx1cm
Resistance	Water, Gasoline and Diesel.

### PHYSICAL PROPERTIES AND METHODOLOGY OF TESTS

CHARACTERISTICS	RESULTS	METODOLOGY OF TESTS
Solid content	Min. 97%	-
Aging Test (UV)	Positive	ASTG G 154: 2006
Adhesion pli	30	ASTM C 794
Tension	200 psi (1.7N/mm <sup>2</sup> )	-
Stretching	600% to 700%	ASTM (D-412)
Thixotropic	Positive	TS-S 0023C (COM-NBS)
Hardness (Shore A)	30 ± 5	ASTM 661
Work temperature	-40°C to 90°C	-
Water Resistance	Positive	TS-S 0023C (COM-NBS)
Touch Drying	45 min to 1 hour	-
Total Cure	2 mm every 24 hours with 50% relative humidity	-

### ORGANIC VOLATILE COMPOUNDS

V.O.C.	CONTAINS
Cartridge 310 mL	0,293 g/L
Sachet 600 mL	0,586 g/L

### HYGIENE AND SAFETY

In contact with skin or eyes, rinse with plenty of water for at least 15 minutes. If swallowed, induce vomiting, drink water and seek medical advice. Keep out of reach of children and animals.

### VALIDITY AND STORAGE

12 months, provided it is stored in a dry and ventilated place at a temperature below 25°C.

**Reis e Reis Indústria e Comércio Ltda**

Rua Wilton Reis Costa, 220

Eldorado Centro Industrial e Empresarial

São José dos Campos / SP CEP 12238-574

Phone/Fax: +55 12 3966 9977

e-mail: [vendas@reisereis.com.br](mailto:vendas@reisereis.com.br)

[www.reisereis.com.br](http://www.reisereis.com.br)

Our technical advice concerning the application of the product is made verbally, in writing and through demonstration depending on the interest of the customer.

It should be noted that the application of the product is a precision process and when it is not applied by Reis e Reis, the company disclaims any responsibility; therefore, the responsibility is that of the customer. Regarding the storage and use of the product, any resulting change in its properties will be the complete responsibility of the customer.

The liability of Reis e Reis will be limited to any damage or loss in value of the goods supplied by the company and used by the customer. We guarantee the unquestionable quality of our products in accordance with our terms of sale and supply.